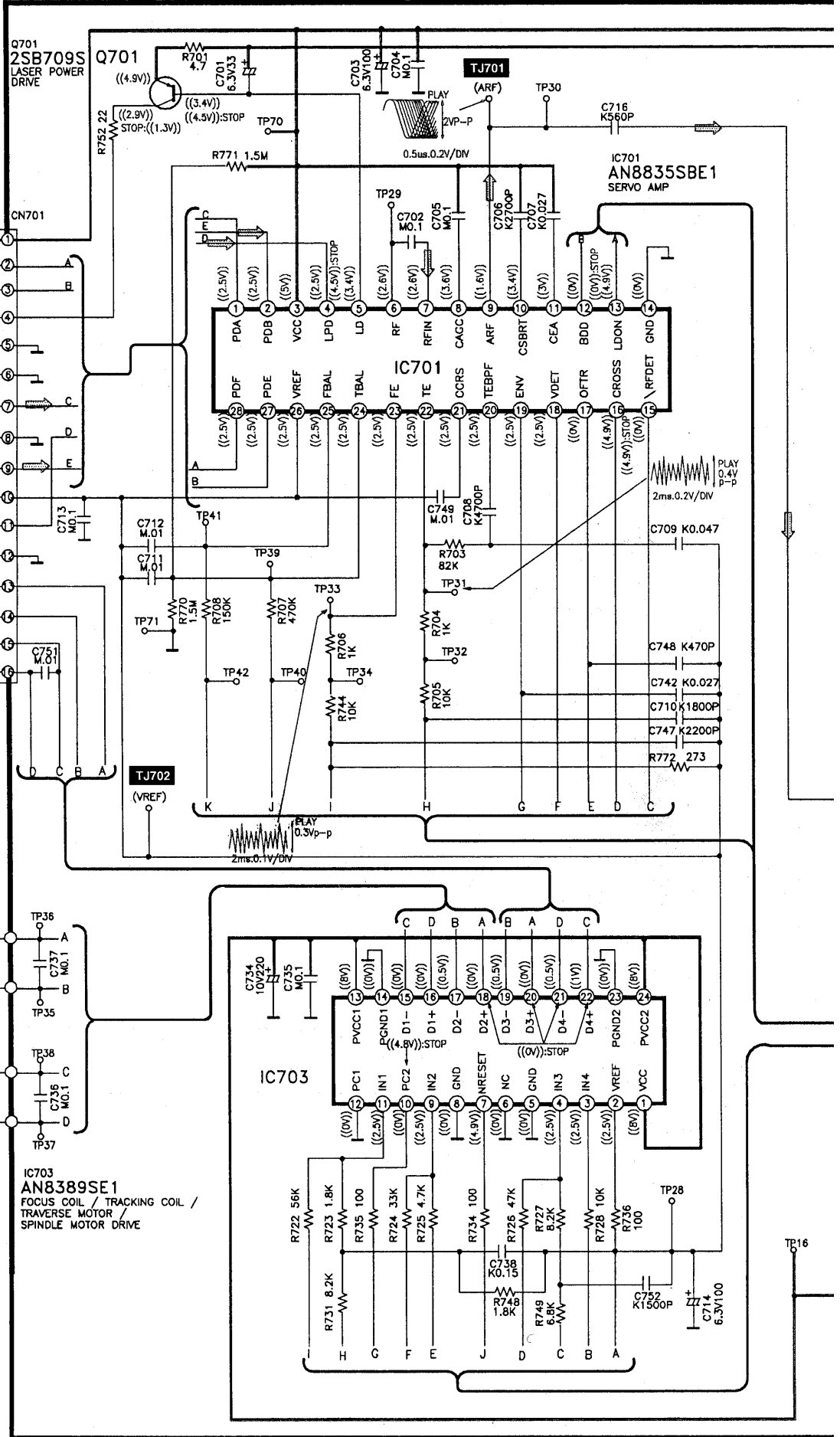
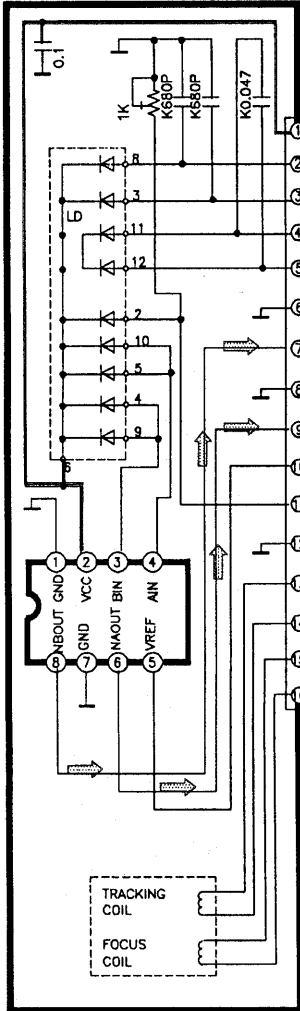
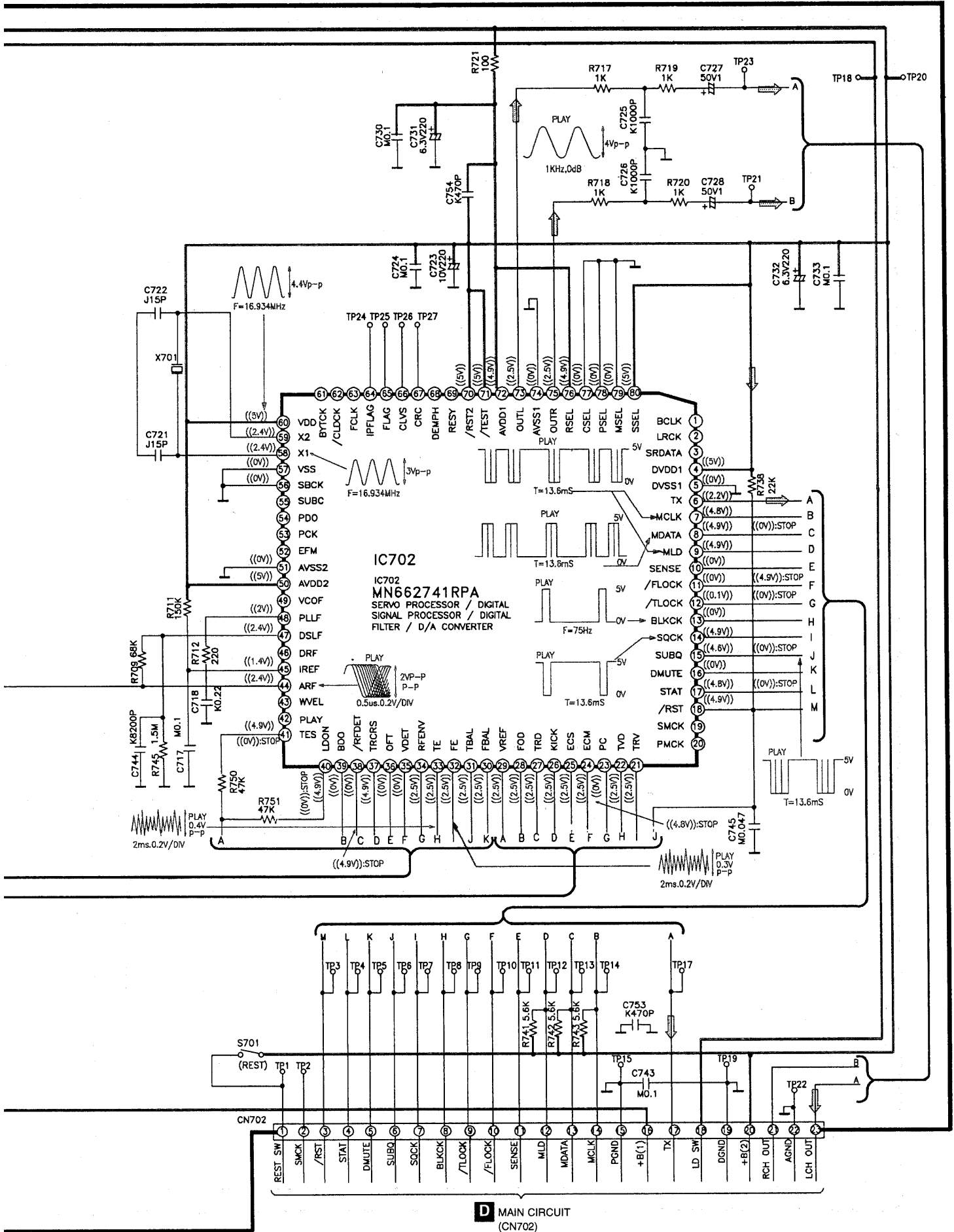


**Schematic Diagram**

**A SERVO CIRCUIT**

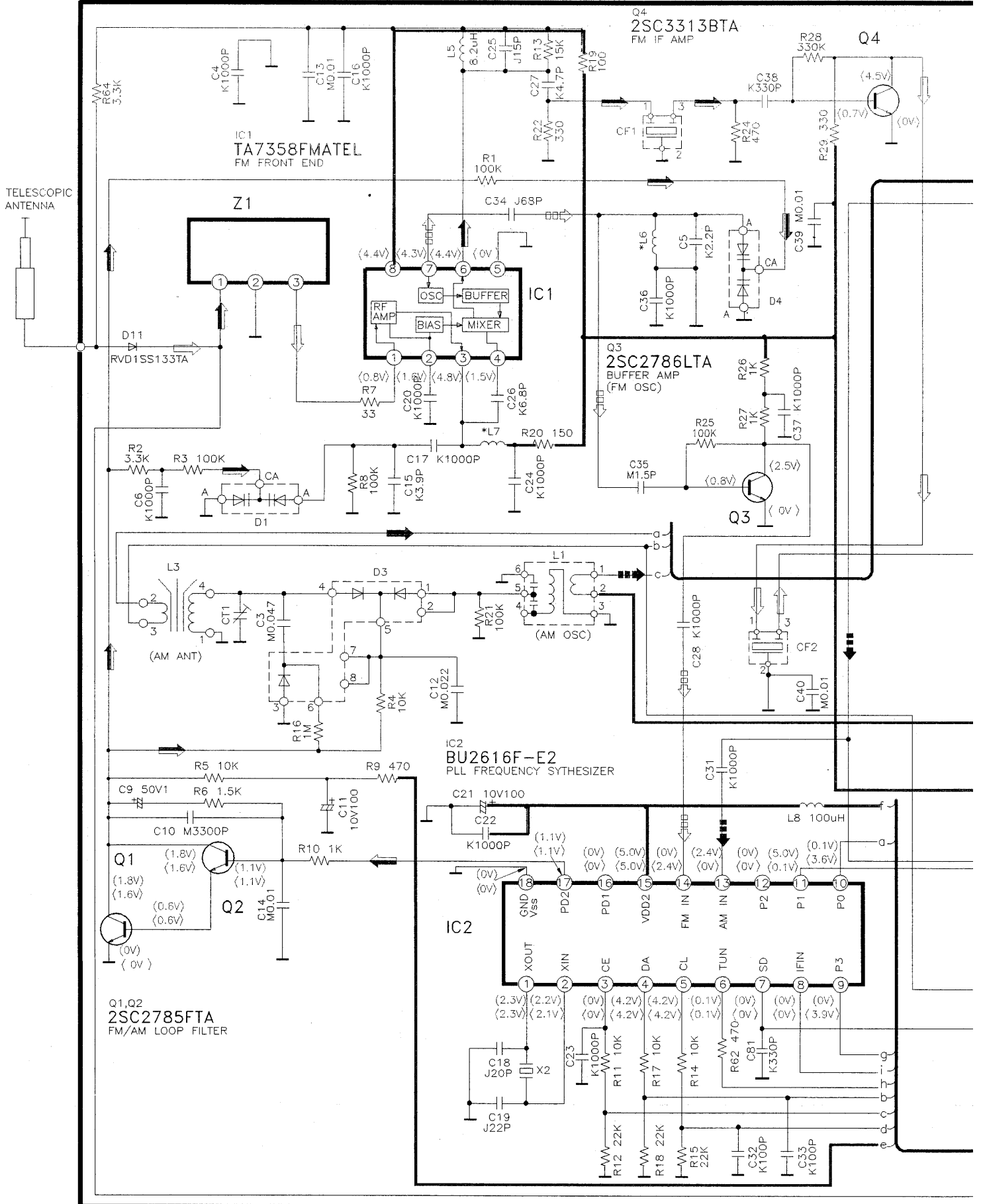
OPTICAL PICKUP

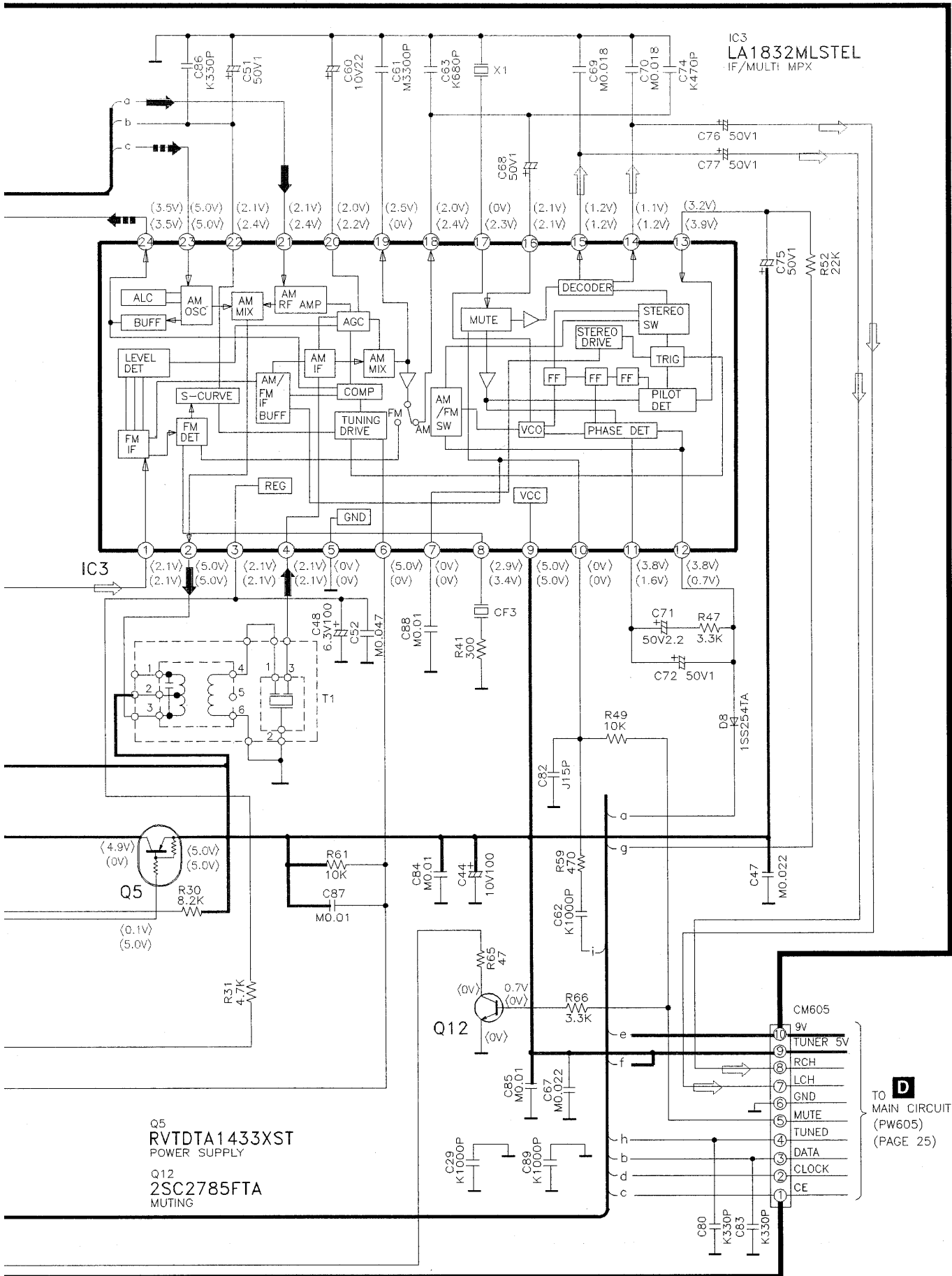




**D** MAIN CIRCUIT  
 (CN702)  
 (PAGE 25)

**B** TUNER CIRCUIT



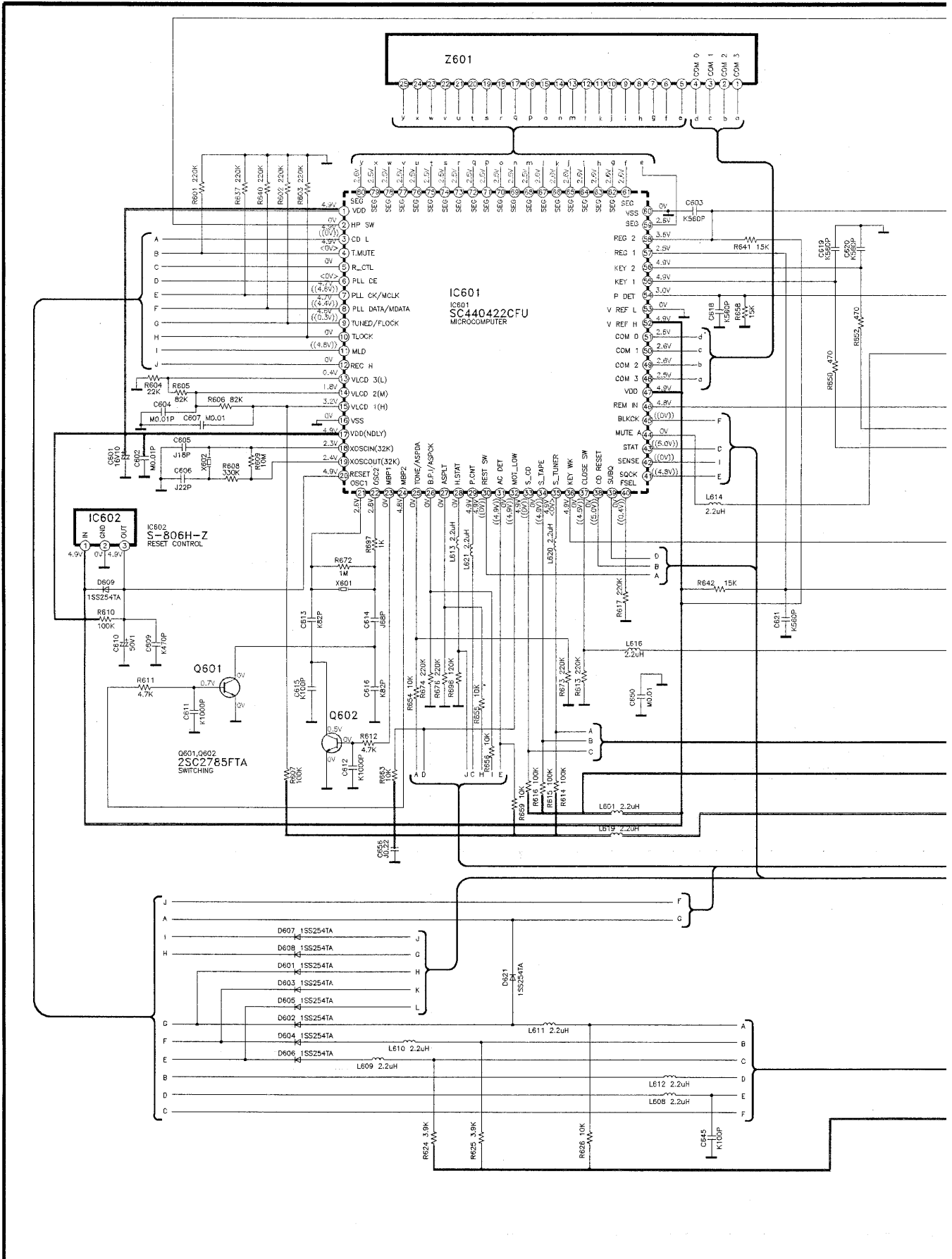


Q5  
RVTDA1433XST  
POWER SUPPLY

Q12  
2SC2785FTA  
MUTING

**D**  
TO MAIN CIRCUIT  
(PW605)  
(PAGE 25)

**D** MAIN CIRCUIT



**E** OPERATION CIRCUIT

**F** SWITCH CIRCUIT

